

WAKITEC TYPE / PHM-1

SEMI-AUTOMATIC PACKAGING MACHINE



Features

A reasonably priced semi-automatic packaging machine

- This is a packaging machine that can perform semi-automatic packaging, which previously required preparing various cylindrical packaging bags, manually inserting them into the packaging bags, and sealing them with a back sealer.
- Compared to "fully automatic" packaging machines, it is able to meet delicate packaging needs (such as "tightness"), and above all, it is priced at a "reasonable price."

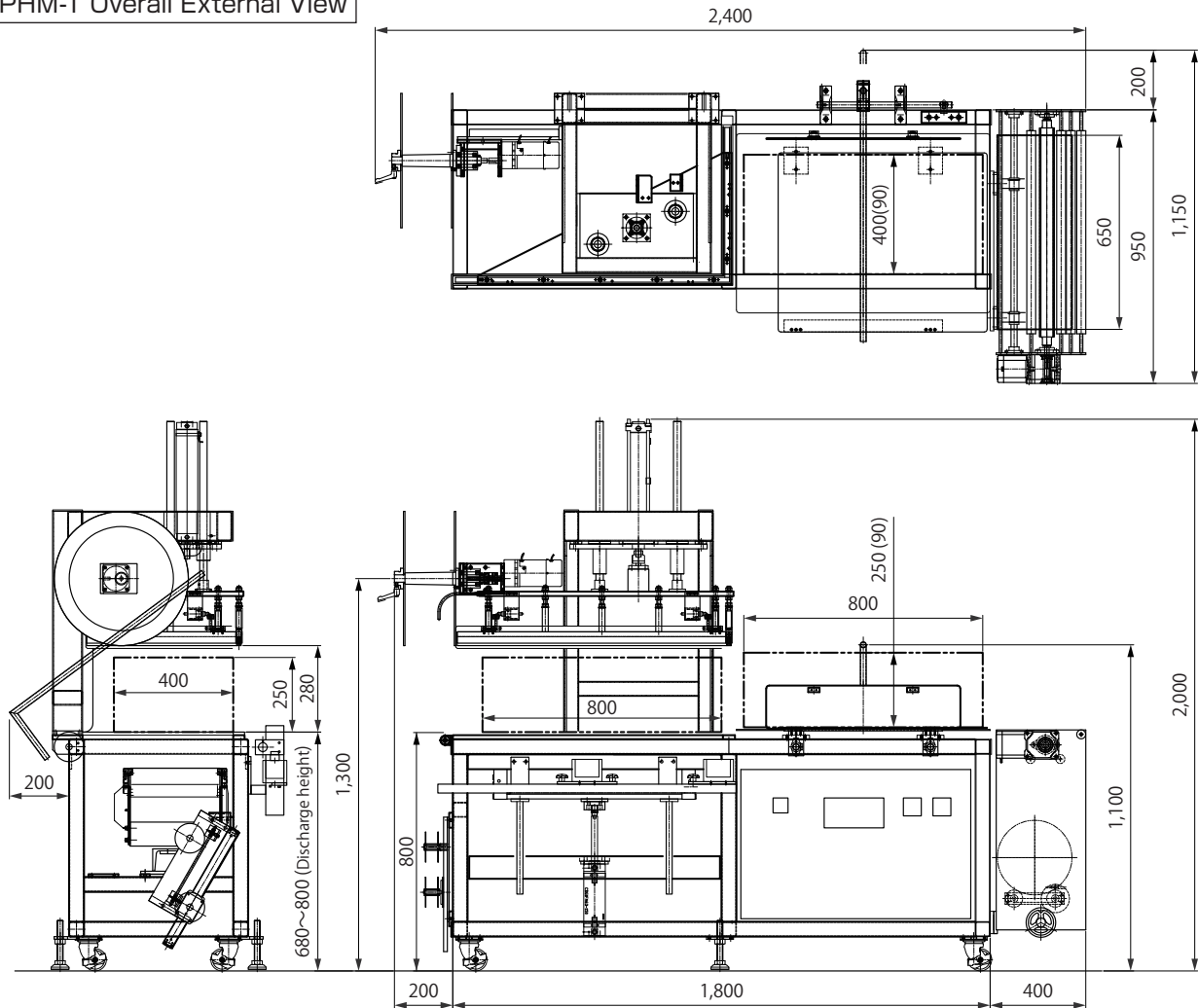
Reduced burden on workers and increased cycle speed

- It is also possible to create a layout that allows workers to work without strain (for example, while sitting). Also, depending on the level of skill, it is possible to use a higher cycle than a "fully automatic" packaging machine.

Space saving and cost reduction

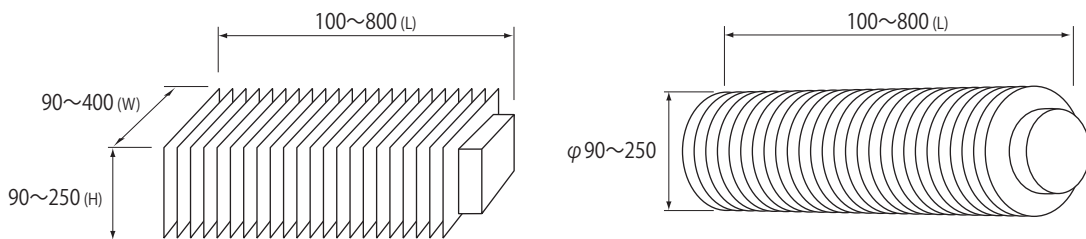
- Compared to "fully automatic" packaging machines, even more space is saved.
- The packaging film is made from a double-fold roll. It also contributes to reducing the cost of packaging bags.

TYPE/PHM-1 Overall External View



Specification Items (Standard Specifications)

Product Size	Maximum 250mm(H) × 400mm(W) (When W=400, up to H=150) Minimum 90mm(H) × 90mm(W)
Product Stacking Height	100~800mm(L)
Packaging Film (Raw Material)	Two fold roll winding maximum 650mm (width) × φ250mm (rolling diameter)
Processing Power	3 - 8 seconds / 1 unit
Machine weight	0.6t
Power supply	AC 3-phase, 200V, 50/60Hz, TOTAL CAPACITY: 4kW (5kVA)
Operating air	100ℓ/min (4kg/cm ² or more)




 株式会社 脇坂エンジニアリング **WAKITEC**
WAKISAKA ENGINEERING CO.,LTD.

Head office / Factory

3-16-38 Hishie Higashiosaka, Osaka 578-0984, JAPAN

TEL 81-72-965-6540 FAX 81-72-965-6676

URL <http://www.wakitec.co.jp> E-mail info@wakitec.co.jp